

MicroGreen™ APC Series

Rugged miniature DPSS laser with integrated automatic power control functionality packaged in a standard semiconductor can for integration flexibility and reliability.



Features:

- Convenient standard TO-56 package
- Smallest commercially available green DPSS laser with APC functionality
- Low power consumption
- Wide temperature range

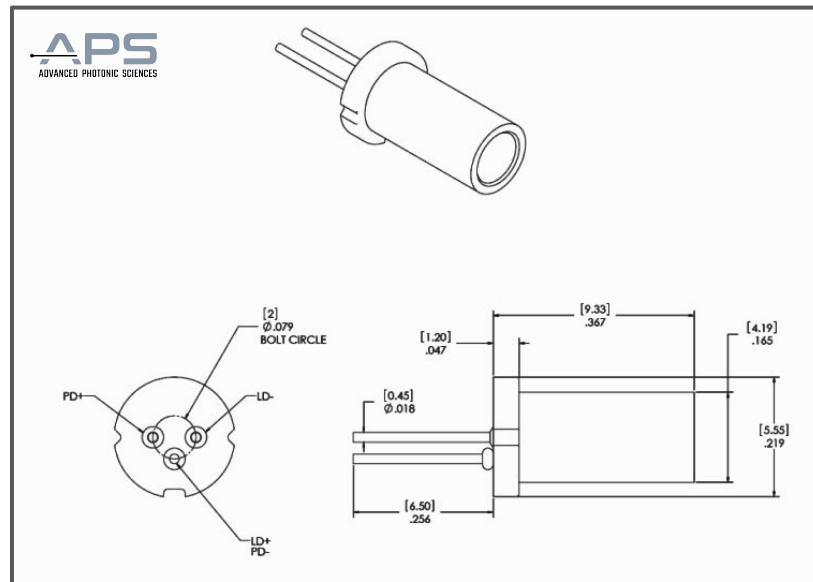
Optical Specifications	MicroGreen™ APC - 15 / 4	MicroGreen™ APC - 15 / 8	MicroGreen™ APC - 15 / 30
Operating Mode	CW		
Output Power (mW)	4	8	30
Output Center Wavelength (nm)	532		
Min. Operating Temperature Range (°C)	15-35	17-33	
Typical Operating Temperature Span (°C)	30	25	
Output Power Stability over Temp. Range (%)	±20		±25
Polarization Ratio (typ.)	4:1		
Full Angle (1/e ²) Div. (mrad, typ.)	7.5		
Beam Diam. (1/e ²) @ Output Window (µm, typ.)	100		
Mode Quality (M ² , typ.)	1.1		
Residual 1064nm Leakage (%)	< 0.5		
PD Photo Current (µA)	30 ~ 90	75 ~ 150	350 ~ 1000
Electrical Input Requirements			
Voltage (V)	> 2.2		
Current (mA)	< 290		< 600
Electrical Power (W)	< 0.64		< 1.32
Other Specifications			
CDRH Class	IIIB		
Warm-up Time (minutes)	< 2		
Storage Temperature (°C)	-40 to +80		
Operating Temperature ₃ (°C, noncondensing)	~+10 to +50		
Warranty (Year)	1		

Specifications subject to change without notice.

© 2023 Advanced Photonic Sciences



Mechanical Specifications



Notes

APS offers a limited warranty.

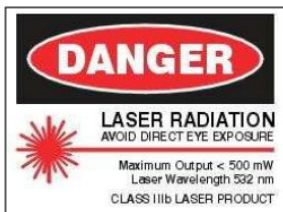
The MicroGreen™ APC Laser is an electronic device, and, as such, subject to damages due to electrostatic discharge, overpowering, and transients.

Thermal management of the MicroGreen™ APC Laser must be included in the OEM design. Failures due to inadequate thermal management will void the warranty.

Please refer to APS' Warranty Statement / Return Policy for details. For assistance in any integration issues, please contact our experienced Applications Team at info@apslasers.com

U.S. and international patents pending.

Class IIIB <500 mW



This product is sold as an OEM laser product and does not fully comply with 21 CFR 1020 and IEC 60825-1:1993 as applicable.

© 2023 Advanced Photonic Sciences

