

LDM-638-700-C  
LDMC-638-700



**Advanced Photonic Sciences**

## 700mW 638nm Diode Laser

### Absolute Maximum Ratings

Item	Symbol	Absolut max. Ratings	Unit
Optical Output power (Tc=25°C)	Po	700	mW
Allowable Reverse Voltage (Tc=25°C)	Vr (LD)	2	V
Storage Temperature	Tstg	-40 ~ +85	°C
Operating Case Temperature	Tc	-20 ~ +60	°C

### Optical Characteristics

Item	Condition	Symbol	Min	Typ	Max	Unit
Optical Output Power	If=1000mA	Po	-	700	-	mW
Dominant Wavelength	If=1000mA	$\lambda_d$	635	638	643	nm
Threshold Current	CW	Ith	-	200	250	mA
Operating Current	CW	Iop	-	1000	1100	mA
Operating Voltage	If=1000mA	Vop	-	2.3	2.8	V
Emission Point Accuracy	If=1000mA	$\Delta\theta^\perp$	-5.0	-	5.0	deg.
Beam Size (4 $\sigma$ )	If=1000mA	-	-	4 x 5* 1 x 4	-	mm
Module Beam Divergence (full angle)	If=1000mA	$\theta$	-	1.7* 6.0	-	mrاد

\*for modules with beam shaping optics

### Wires

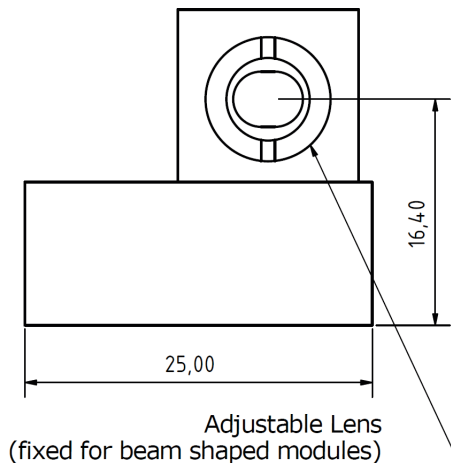
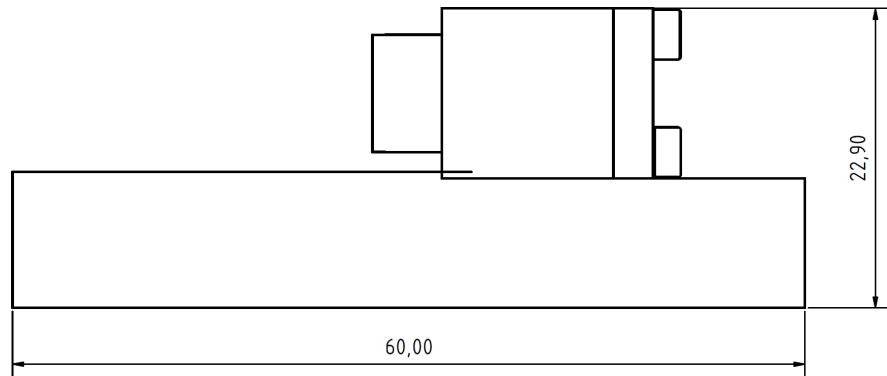
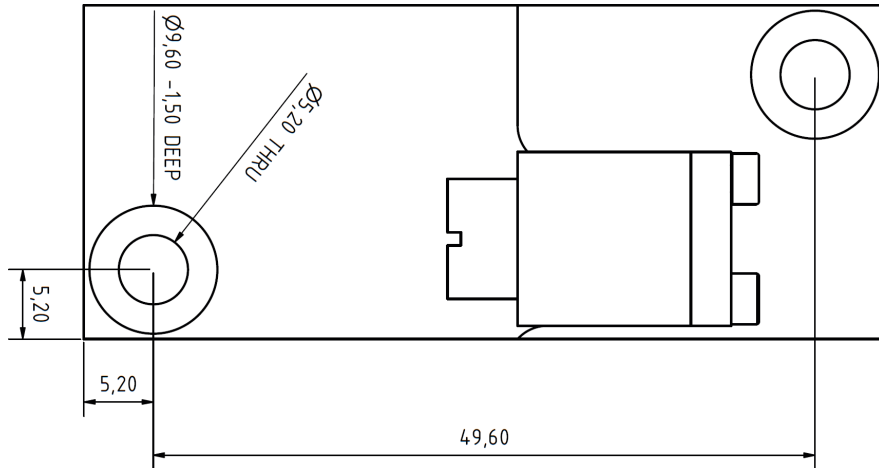
Red = Plus

Black = Minus

# 700mW 638nm Diode Laser

LDM-638-700-C  
LDMC-638-700

## Dimensions



## Connecting wires:

Red: PLUS  
Black: MINUS

Advanced Photonic Sciences, 26741 State Route 267, Friendsville, PA, 18818  
[www.apslasers.com](http://www.apslasers.com)