



## 100mW 520nm Single Mode Diode Laser

LDM-520-100-C  
LDMC-520-100

### Absolute Maximum Ratings

Item	Symbol	Absolut max. Ratings	Unit
Forward Current (Tc=25°C)	If	300	mA
Allowable Reverse Voltage (Tc=25°C)	Vr (LD)	2	V
Storage Temperature	Tstg	-40 ~ +85	°C
Operating Case Temperature	Tc	-20 ~ +60	°C

### Optical Characteristics

Item	Condition	Symbol	Min	Typ	Max	Unit
Optical Output Power	If=200mA	Po	-	100	-	mW
Dominant Wavelength	If=200mA	$\lambda_d$	515	520	530	nm
Threshold Current	CW	I <sub>th</sub>	-	40	70	mA
Modulation frequency	-	f	-	>100	-	MHz
Operating Voltage	If=200mA	V <sub>op</sub>	-	6.4	8.0	V
Emission Point Accuracy	If=200mA	$\Delta\theta^\perp$	-5.0	-	5.0	deg.
Beam Size (4 $\sigma$ )	If=200mA	-	-	3 x 3* 0.8 x 3	-	mm
Module Beam Divergence (full angle)	If=200mA	$\theta$	-	0.3* 0.5	-	mrad

\*for modules with beam shaping optics

### Wires

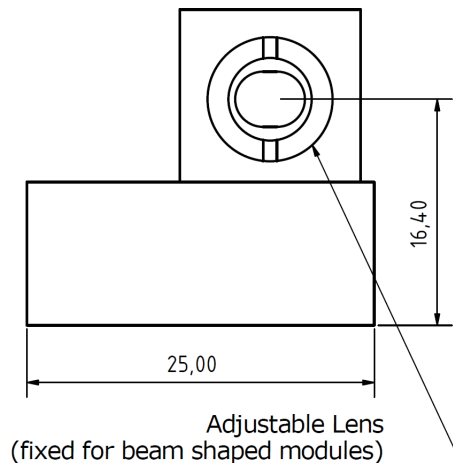
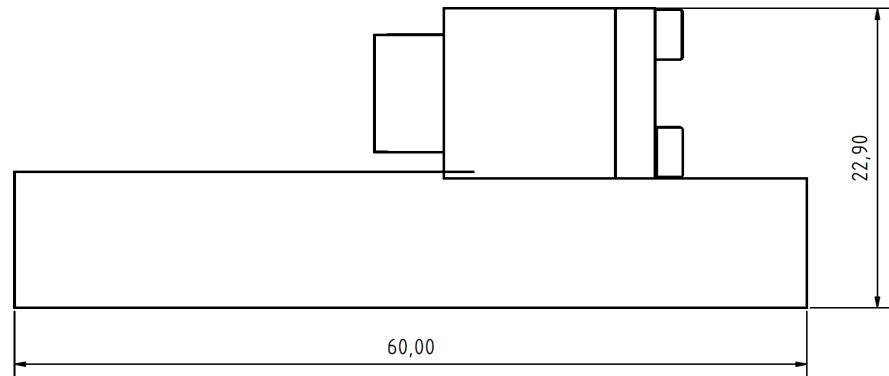
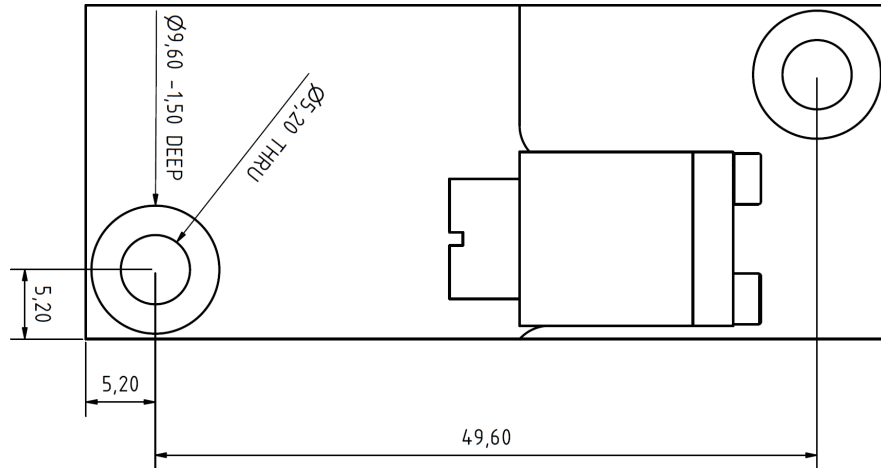
Red = Plus

Black = Minu

# 100mW 520nm Single Mode Diode Laser

LDM-520-100-C  
LDMC-520-100

## Dimensions



## Connecting wires:

Red: PLUS  
Black: MINUS

Advanced Photonic Sciences, 26741 State Route 267, Friendsville, PA, 18818  
[www.apslasers.com](http://www.apslasers.com)