



30mW 505nm Diode Laser

LDM-505-30-C
LDMC-505-30

Absolute maximum ratings (Tc=25°C)

Parameter	Symbol	Value		Unit
		min.	max.	
Operating current	I_f	-	130	mA
Operating temperature	T_{Case}	-10	+60	°C
Storage temperature	T_{stg}	-40	+85	°C
Reverse voltage	V_R	-	2	V
Soldering temperature	T_{SLD}	-	260	°C
Junction temperature	T_j	-	120	°C

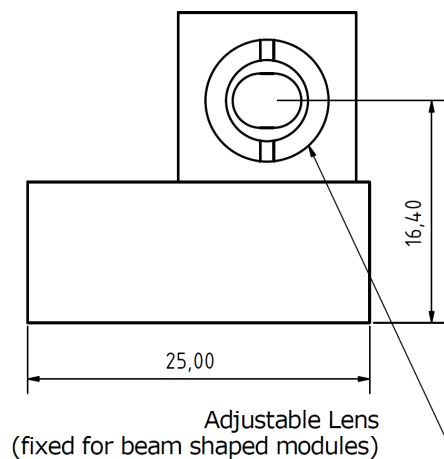
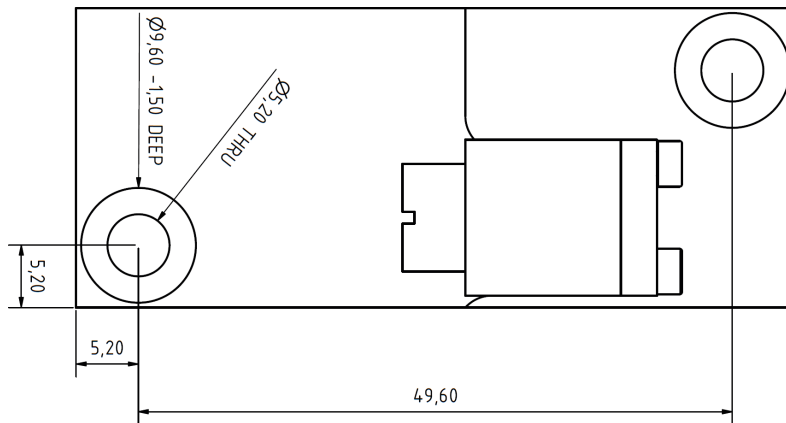
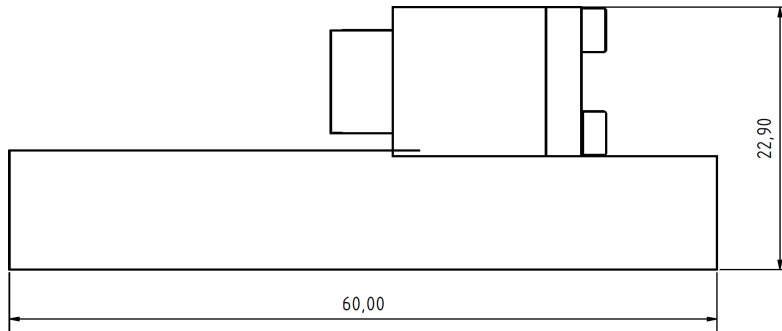
Optical and Electrical Characteristics (Tc=25°C)

Parameter	Symbol	Values			Unit
		min.	typ.	max.	
Emission Wavelength	λ_{peak}	500	505	510	nm
Output Power	P_{out}	-	30	-	mW
Spectral Width (FWHM)	$\Delta\lambda$	-	2	-	nm
Threshold Current	I_{th}	-	70	-	mA
Operating Current	I_F	-	125	-	mA
Operating Voltage	V_F	-	6.0	-	V
Beam Divergence (FWHM)	$\theta_{II} \times \theta_T$	-	8.5 x 23	-	deg
Emission Point Accuracy	-	-3	-	3	
Differential Efficiency	nd	-	0.5	-	mW/mA
Thermal resistance (junction to case)	R_{th}	-	38	-	K/W
Divergence @ full angle	θ	0.2	-	0.5	mrad
Beam dimension	4σ	-	4.0 x 0.8	-	mm
LDM			4.0 x 4.0		
LDM-C					

30mW 505nm Diode Laser

LDM-505-30-C
LDMC-505-30

Dimensions



Connecting wires:

Red: PLUS

Black: MINUS

Advanced Photonic Sciences, 26741 State Route 267, Friendsville, PA, 18818

www.apslasers.com