



3W / 3.5W 465nm Diode Laser

LDM-465-3000-C
LDMC-465-3500

Absolute Maximum Ratings

Item	Symbol	Absolut max. Ratings	Unit
Forward Current (Tc=25°C)	If	3.5	A
Allowable Reverse Current (Tc=25°C)	Ir (LD)	85	mA
Storage Temperature	Tstg	-40~85	°C
Operating Case Temperature	Tc	0~50	°C

Optical Characteristics

Item	Condition	Symbol	Min	Typ	Max	Unit
Optical Output Power	If=2.5A	Po	2.7*	3.5 / 3.0*	-	W
Dominant Wavelength	If=2.5A	λ_d	460	465	470	nm
Threshold Current	CW	Ith	300	-	550	mA
Slope Efficiency	CW	η	-	1.6	-	W/A
Operating Voltage	If=2.5A	Vop	3.7	-	4.9	V
Emission Point Accuracy	If=2.5A	$\Delta\theta^\perp$	-5.0	-	5.0	deg.
Beam Size (4 σ)	If=2.5A	-	-	4x4* 4x1	-	mm
Module Beam Divergence (full angle)	If=2.5A	θ	0.5	1.5* 5.0	1.1	mrاد

*for modules with beam shaping; power losses ~10%

Wires

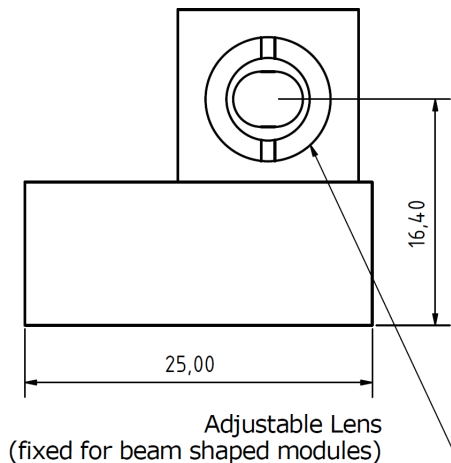
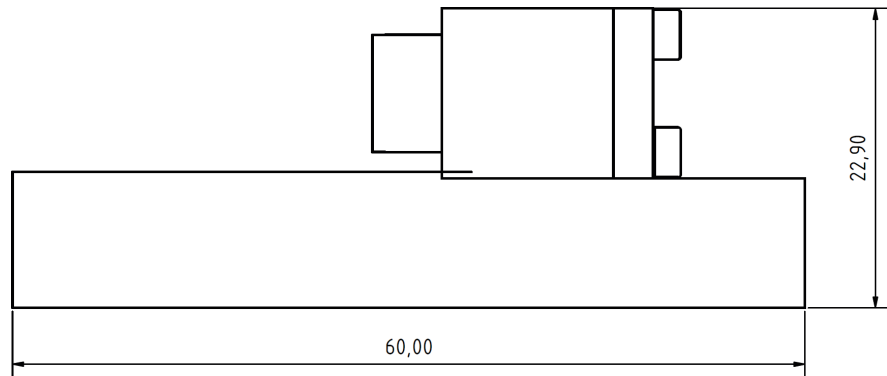
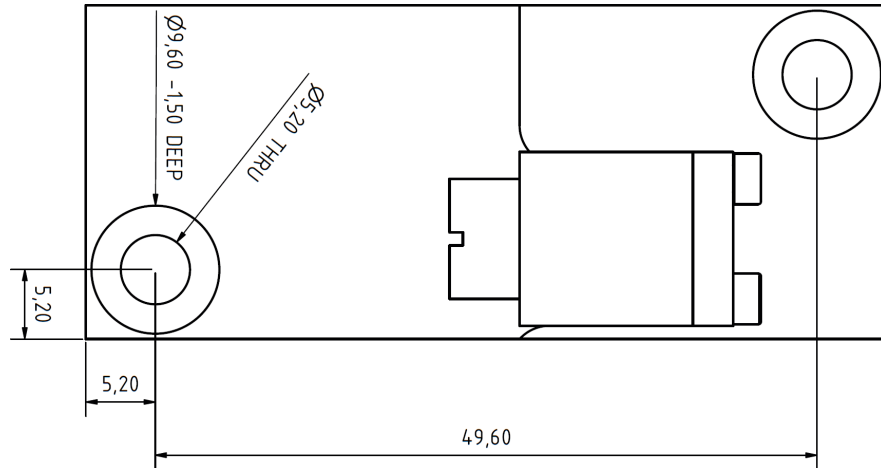
Red = Plus

Black = Minus

3W / 3.5W 465nm Diode Laser

LDM-465-3000-C
LDMC-465-3500

Dimensions



Connecting wires:

Red: PLUS
Black: MINUS

Advanced Photonic Sciences, 26741 State Route 267, Friendsville, PA, 18818
www.apslasers.com