



1.4W 462nm Diode Laser

LDM-462-1400-C
LDMC-462-1400

Absolute Maximum Ratings

Item	Symbol	Absolut max. Ratings	Unit
Forward Current (Tc=25°C)	If	1.7	A
Allowable Reverse Current (Tc=25°C)	Ir (LD)	85	mA
Storage Temperature	Tstg	-40~85	°C
Operating Case Temperature	Tc	0~50	°C

Optical Characteristics

Item	Condition	Symbol	Min	Typ	Max	Unit
Optical Output Power	If=1.4A	Po	1.1	1.4	-	W
Dominant Wavelength	If=1.4A	λ_d	455	462	470	nm
Threshold Current	CW	Ith	100	-	220	mA
Slope Efficiency	CW	η	0.9	-	1.7	W/A
Operating Voltage	If=1.4A	Vop	3.8	-	5.6	V
Diode Beam Divergence (1/e ²)	If=1.4A	$\theta_{//}$	5	14	25	deg.
		θ_{\perp}	35	44	50	deg.
Emission Point Accuracy	If=1.4A	$\Delta\theta_{\perp}$	-5.0	-	5.0	deg.
Beam Size (4 σ)	If=1.4A	-	-	4x4* 4x1	-	mm
Module Beam Divergence (full angle)	If=1.4A	θ	0.5	0.8* 2.7	1.1	mrad

*for modules with beam shaping

Wires

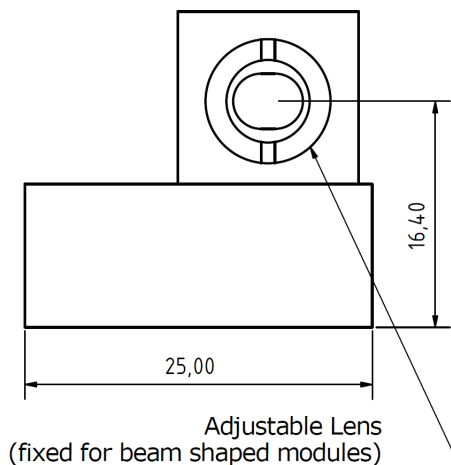
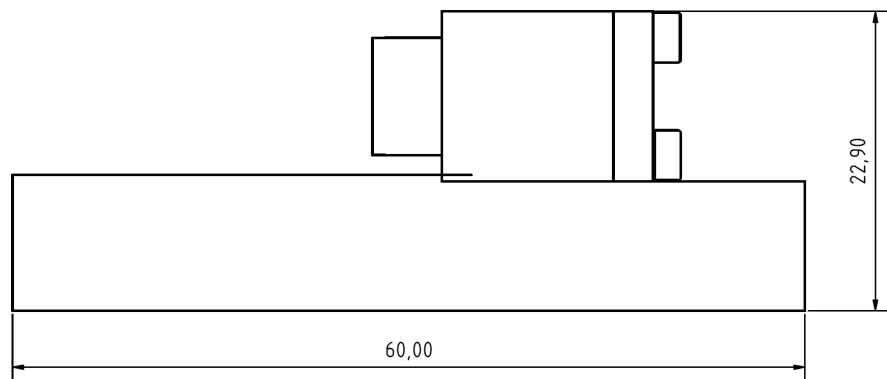
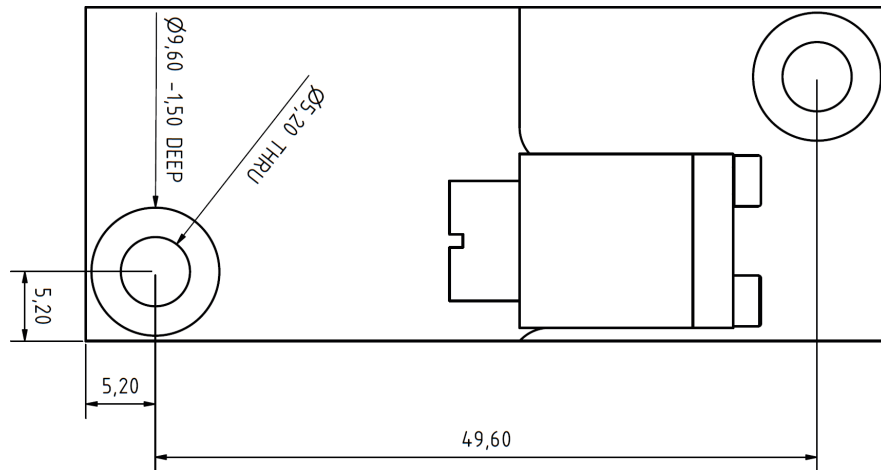
Red = Plus

Black = Minus

1.4W 462nm Diode Laser

LDM-462-1400-C
LDMC-462-1400

Dimensions



Connecting wires:

Red: PLUS
Black: MINUS

Advanced Photonic Sciences, 26741 State Route 267, Friendsville, PA, 18818
www.apslasers.com