



## 3.5W 448nm Diode Laser

**LDM-448-3500-C**  
**LDMC-448-3500**

### Absolute Maximum Ratings

Item	Symbol	Absolut max. Ratings	Unit
Forward Current (Tc=25°C)	If	3000	mA
Allowable Reverse Current (Tc=25°C)	Ir (LD)	85	mA
Storage Temperature	Tstg	-40~85	°C
Operating Case Temperature	Tc	0~50	°C

### Optical Characteristics

Item	Condition	Symbol	Min	Typ	Max	Unit
Optical Output Power	If=2300mA	Po	-	3.5	-	W
Dominant Wavelength	If=2300mA	$\lambda_d$	440	448	455	nm
Threshold Current	CW	I <sub>th</sub>	200	-	350	mA
Slope Efficiency	CW	$\eta$	1.0	-	2.0	W/A
Operating Voltage	If=2300mA	V <sub>op</sub>	4.0	-	4.7	V
Diode Beam Divergence (1/e <sup>2</sup> )	If=2300mA	$\theta_{//}$	10	14	20	deg.
		$\theta_{\perp}$	40.	46	50	deg.
Emission Point Accuracy	If=2300mA	$\Delta\theta_{\perp}$	-5.0	-	5.0	deg.
Beam Size (4 $\sigma$ )	If=2300mA	-	-	4x4 4x1	-	mm
Module Beam Divergence (full angle)	If=2300mA	$\theta$	-	1.2	-	mrad

### Wires

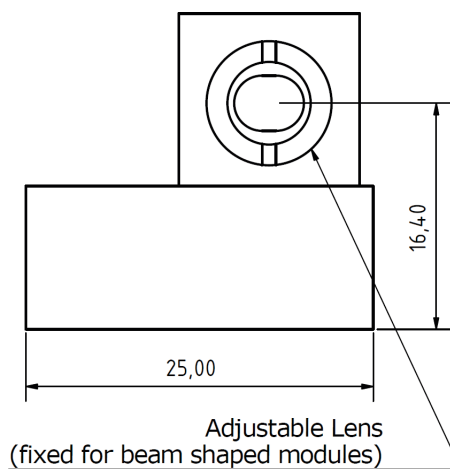
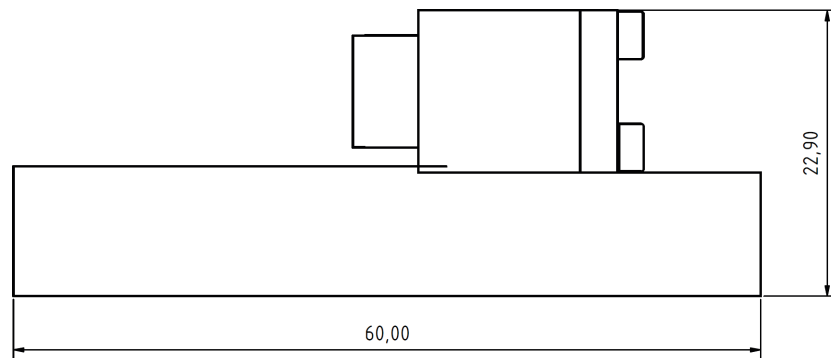
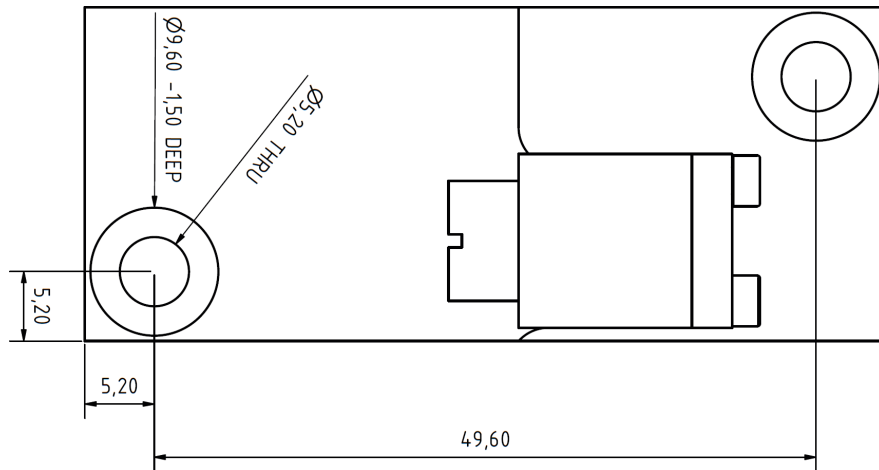
Red = Plus

Black = Minus

# 3.5W 448nm Diode Laser

LDM-448-3500-C  
LDMC-448-3500

## Dimensions



## Connecting wires:

Red: PLUS  
Black: MINUS

Advanced Photonic Sciences, 26741 State Route 267, Friendsville, PA, 18818  
[www.apslasers.com](http://www.apslasers.com)