



## 6W 445nm Diode Laser

LDM-445-5000-C  
LDMC-445-6000

### Absolute Maximum Ratings

Item	Symbol	Absolut max. Ratings	Unit
Forward Current (Tc=25°C)	If	5000	mA
Allowable Reverse Current (Tc=25°C)	Ir (LD)	85	mA
Storage Temperature	Tstg	-40~85	°C
Operating Case Temperature	Tc	0~50	°C

### Optical Characteristics

Item	Condition	Symbol	Min	Typ	Max	Unit
Optical Output Power	If=4000mA	Po	-	6*	-	W
Dominant Wavelength	If=4000mA	$\lambda_d$	440	445	450	nm
Threshold Current	CW	I <sub>th</sub>	350	-	500	mA
Slope Efficiency	CW	$\eta$	1.0	-	2.0	W/A
Operating Voltage	If=4000mA	V <sub>op</sub>	3.7	-	5.0	V
Diode Beam Divergence (1/e <sup>2</sup> )	If=4000mA	$\theta_{//}$	7	20	45	deg.
		$\theta_{\perp}$	50	65	70	deg.
Emission Point Accuracy	If=4000mA	$\Delta\theta_{\perp}$	-5.0	-	5.0	deg.
Beam Size (4 $\sigma$ )	If=4000mA	-	-	4x4 4x1	-	mm
Module Beam Divergence (full angle)	If=4000mA	$\theta$	-	1.7	-	mrad

\*5.5W for model with beam shaping optics Wires

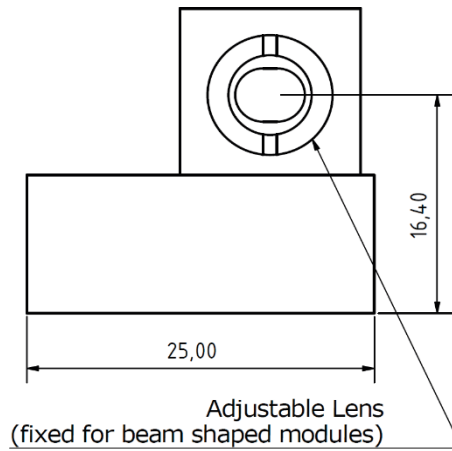
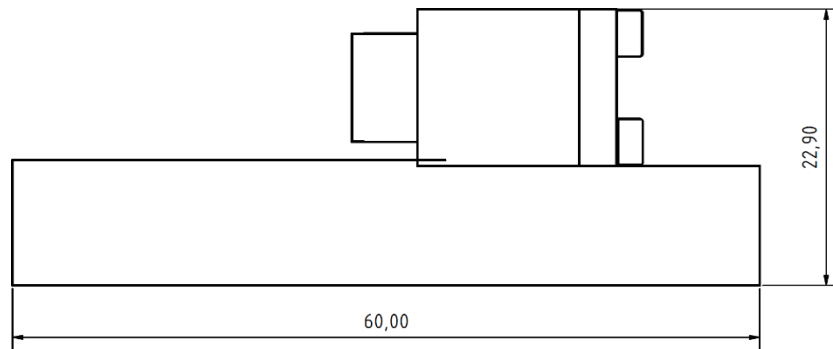
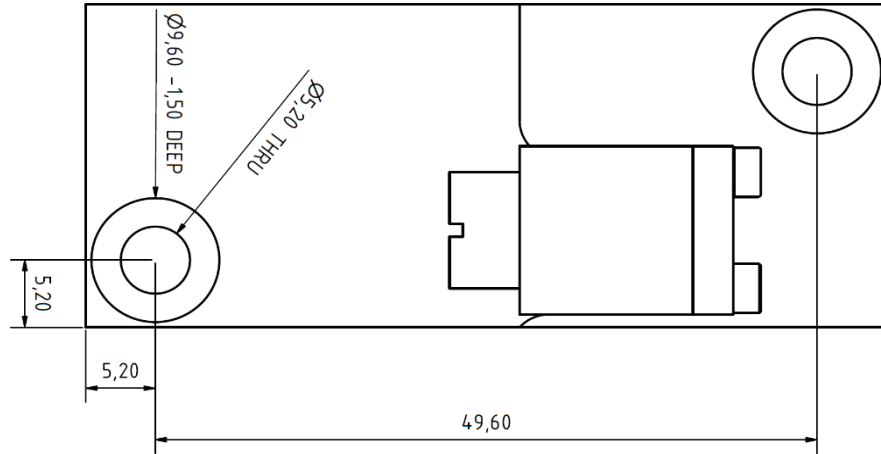
Red = Plus

Black = Minus

# 6W 445nm Diode Laser

LDM-445-5000-C  
LDMC-445-6000

## Dimensions



## Connecting wires:

Red: PLUS  
Black: MINUS