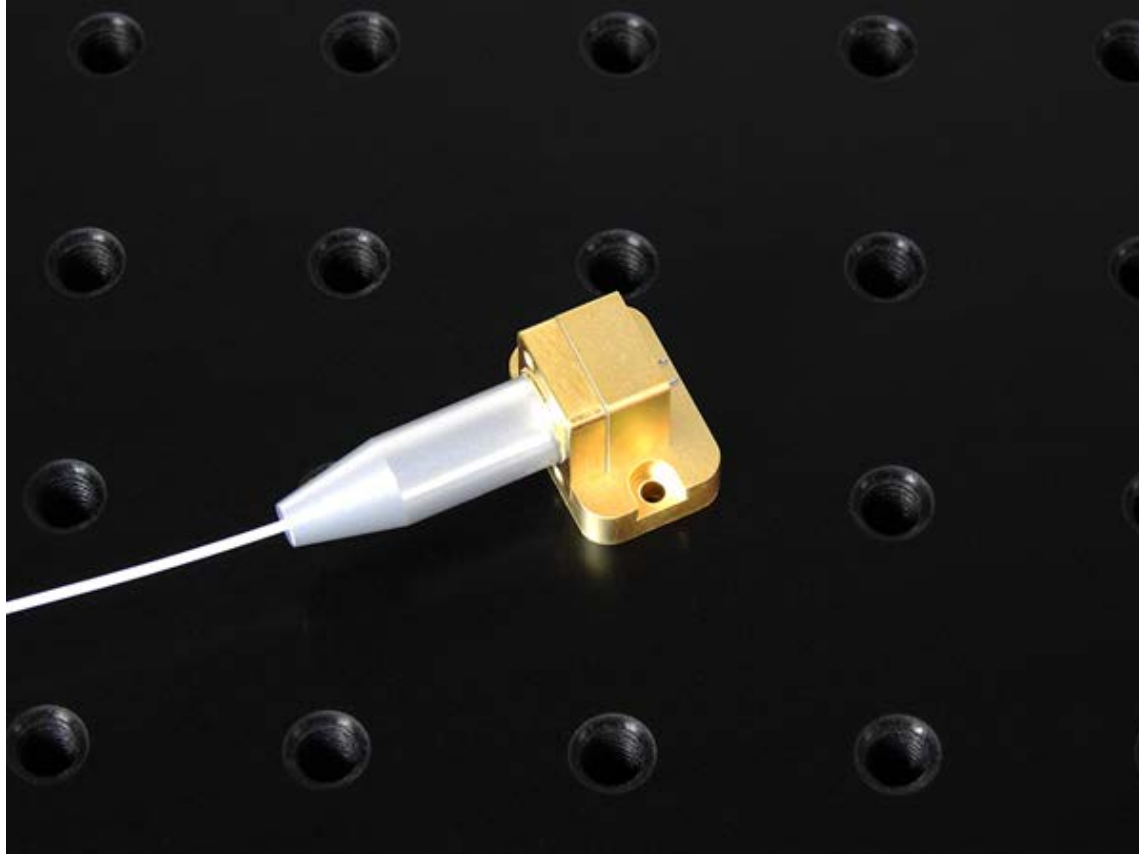


FCLD-445-4500LD mW Blue 445 nm Fiber-Coupled Diode Laser System



- Engraving, Marking, and Cutting Laser For Plastics, Metals Including Stainless Steel, And Other Materials
- Pump Ti:Sapphire Ultrafast Lasers
- Pump Other Solid-State Lasers

Attributes

- Round Focal Spot Size
- Focal Spot Diameters Down to 50 Microns
- High Symmetric Intensity on Target
- Rapid Engraving and Marking

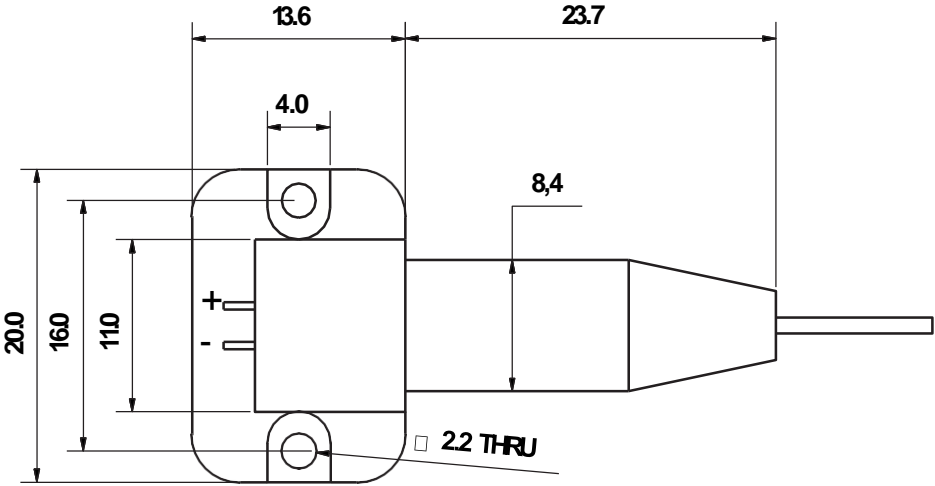
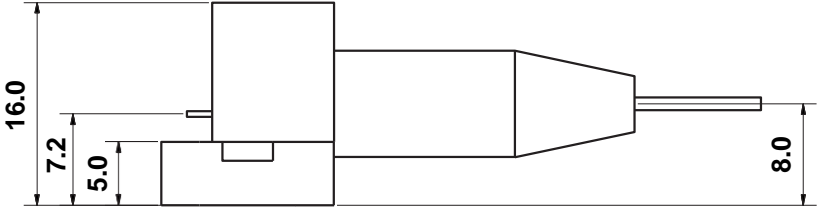
Absolute Maximum Values

Parameter	Symbol	Absolute Maximum Value	Unit
Forward current (Tc=25°C)	I _f	4.5	A
Reverse current (Tc=25°C)	I _r (LD)	85	mA
Storage Temperature	T _{stg}	-40 ≈ +85	°C
Operating Temperature (case)	T _c	0 ≈ +50	°C

Optical Characteristics

Parameter	Condition	Symbol	Min	Typ	Max	Unit
Output Power	I _f =4.0A	P _o	4.5	-	5	W
Central Wavelength	I _f =4.0A	λ _d	440	-	450	nm
Threshold Current	CW	I _{th}	300	-	450	mA
Slope Efficiency	CW	η	-	1.1	-	W/A
Operating Voltage	I _f =4.0A	V _{op}	4.0	-	5.0	V
Fiber Core Diameter	-	-	-	105	-	μm
Fiber Diameter	-	-	-	0.85	-	mm
Numerical Aperture	-	-	-	0.22	-	-
Fiber Length	-	-	-	1	-	m
Fiber Connector	-	-	-	SMA905	-	-

Dimensions (mm)



This is a Class 4 OEM laser product. OEM product is intended to be incorporated into a device. It may not meet safety requirements given by the law. Safety precautions are to be taken prior to use this laser. Avoid eye or skin exposure. Laser radiation must be prevented from leaving the laser working area. Use appropriate shield to block the laser light.

Relevant But Not Only Applicable Regulations:

- ANSI Z136.1
- FDA 21CFR, Sections 1040.10 and 1040.11

