

Model Number: APS-404nm-150mW-MTM-5.6mm-CC

APS 150 mW 404 nm Laser Diode Module With Adjustable Aspheric Collimating Lens

Absolute Maximum Ratings at 25 °C

Item	Ratings	Unit
CW Output Power	150	mW
Laser Diode Reverse Voltage	2	V
Maximum Operating Current	250	mA
Operating Temperature	-10 to 50	°C
Storage Temperature	-40 to 85	°C

- Simple Integrated Package
- Excellent Diode Heatsinking
- Small Footprint
- Simple Connection With Two Power Leads
- Adjustable Collimating Lens
- Lightweight, Rugged
- Precision Machined

Applications: Biomedical, Metrology





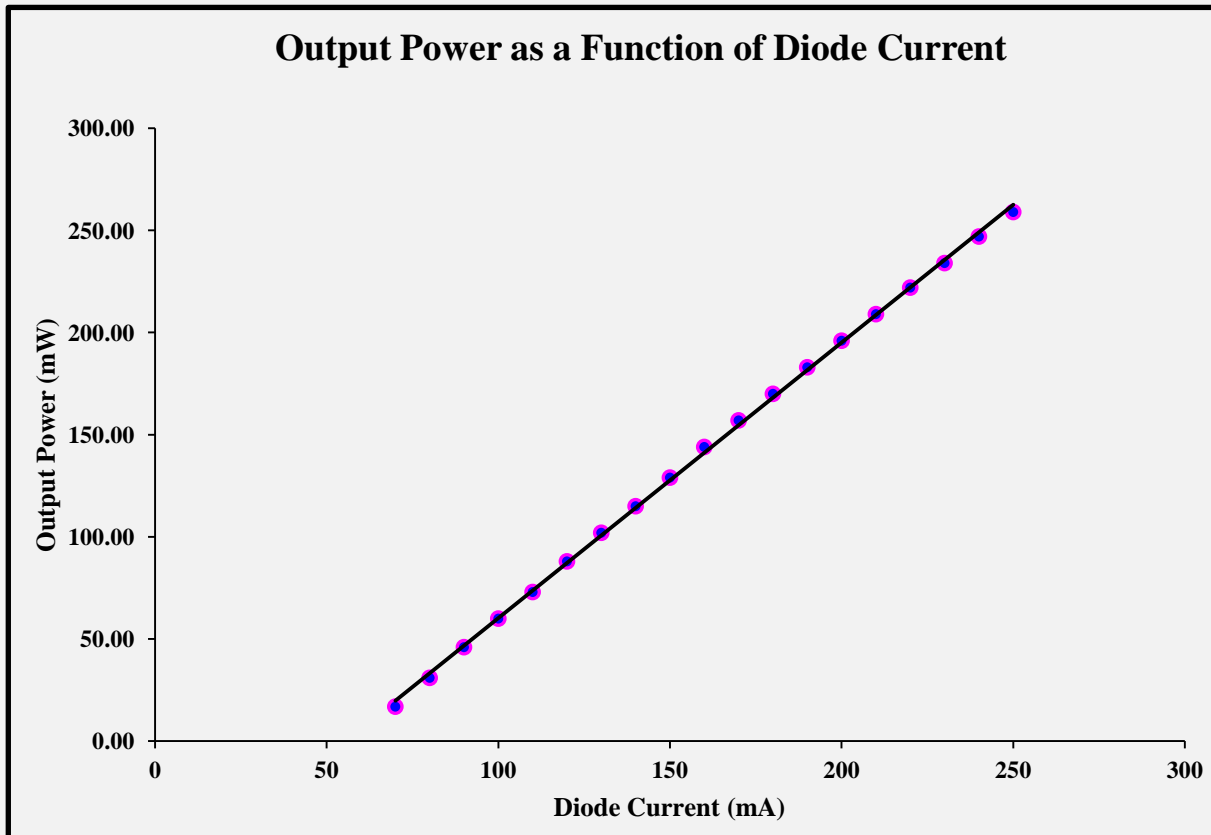
Model Number: APS-404nm-150mW-MTM-5.6mm-CC
APS 150 mW 404 nm Laser Diode Module With Adjustable Aspheric Collimating Lens

Optical and Electrical Characteristics at 25 °C

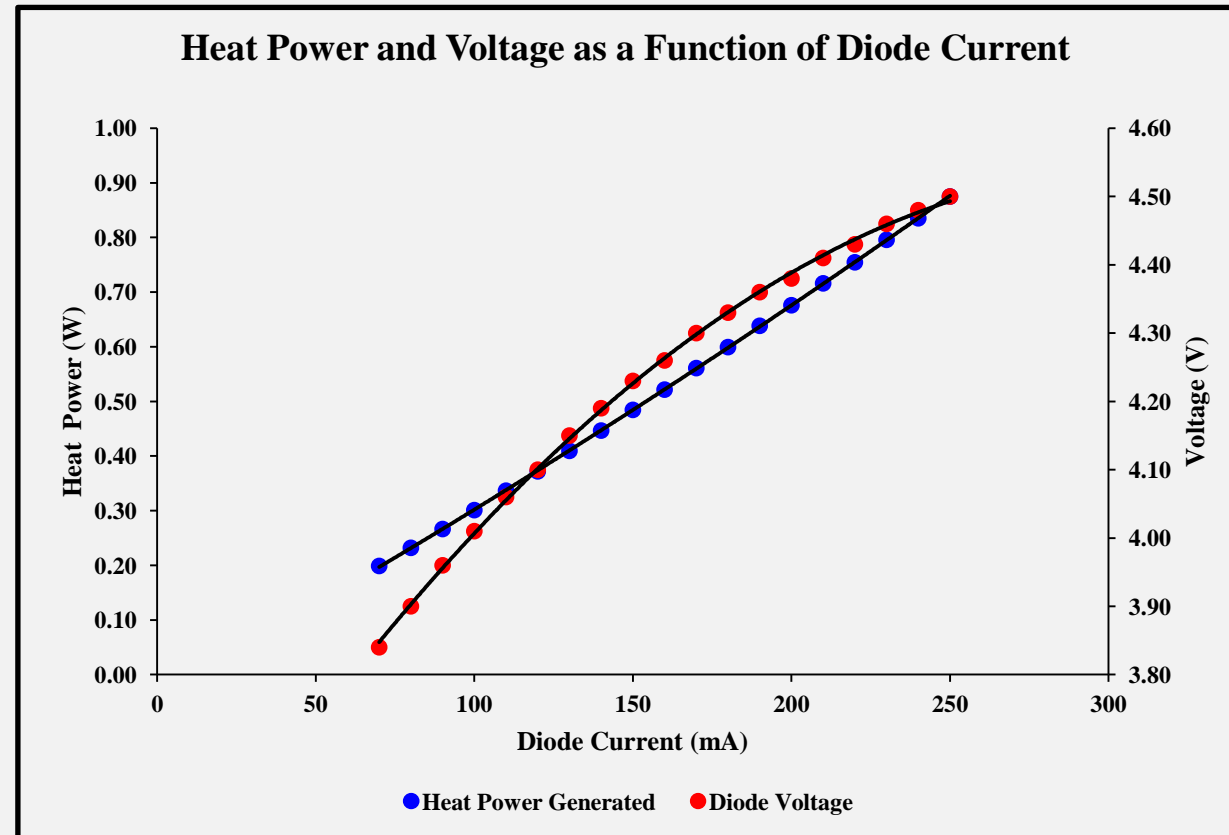
Parameter	Min	Typical	Max	Units	Test Condition
Threshold Current	-	60	120	mA	-
Operating Current	-	150	250	mA	$P_o = 150 \text{ mW}$
Operating Voltage	-	-	5.0	V	$P_o = 150 \text{ mW}$
Fast Axis Beam Divergence	30	45	60	°	$P_o = 150 \text{ mW}$ 1/e ² Full Angle
Slow Axis Beam Divergence	5	13	25	°	$P_o = 150 \text{ mW}$ 1/e ² Full Angle
Lasing Wavelength	398	404	410	nm	$P_o = 150 \text{ mW}$
Transverse Mode	MTM	MTM	MTM	-	All Currents
Polarization TE	-	-	-	-	Horizontal

Module Experimental Data

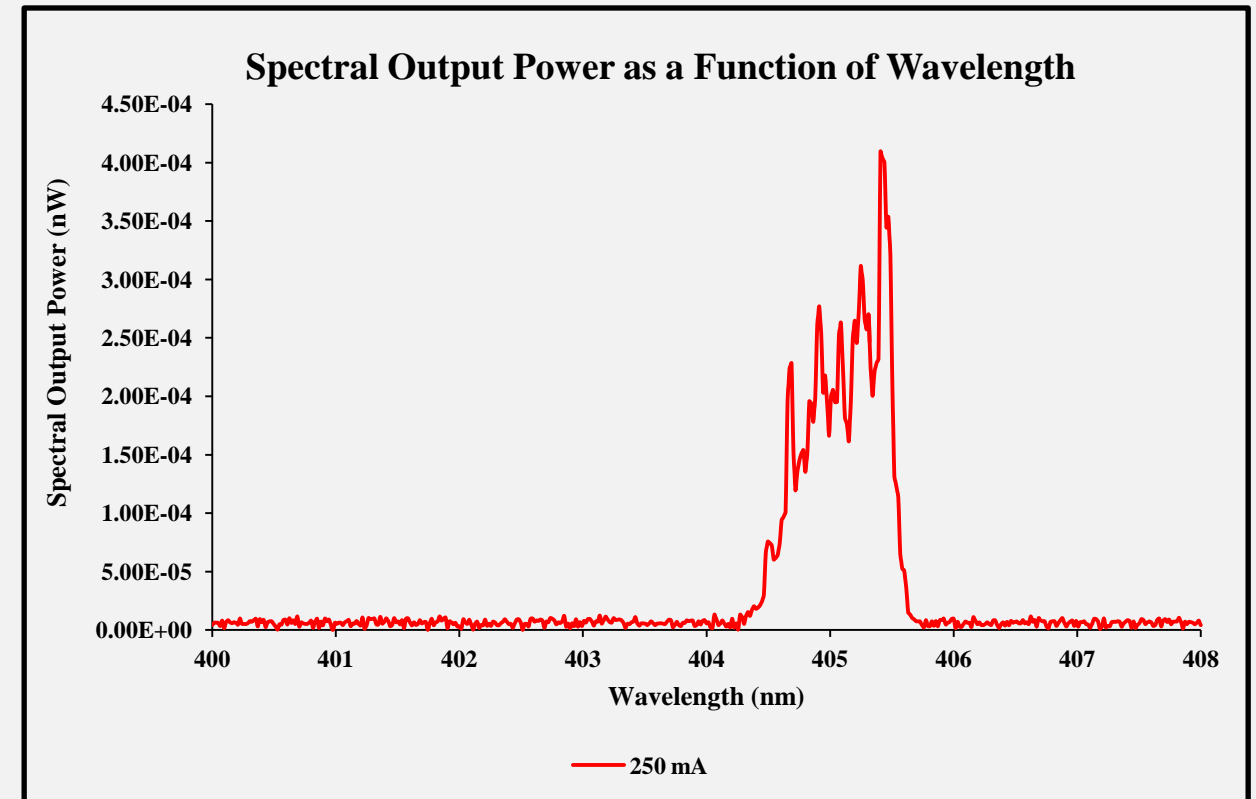
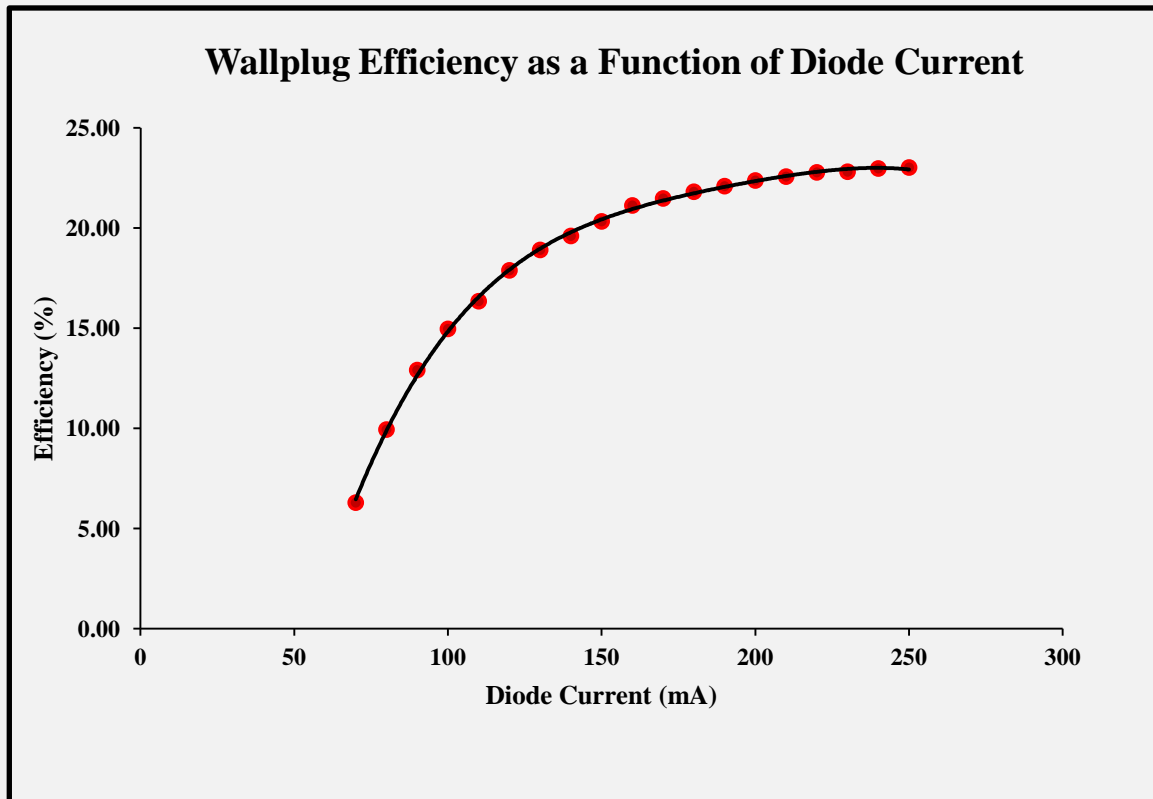
Output Power as a Function of Diode Current



Heat Power and Voltage as a Function of Diode Current

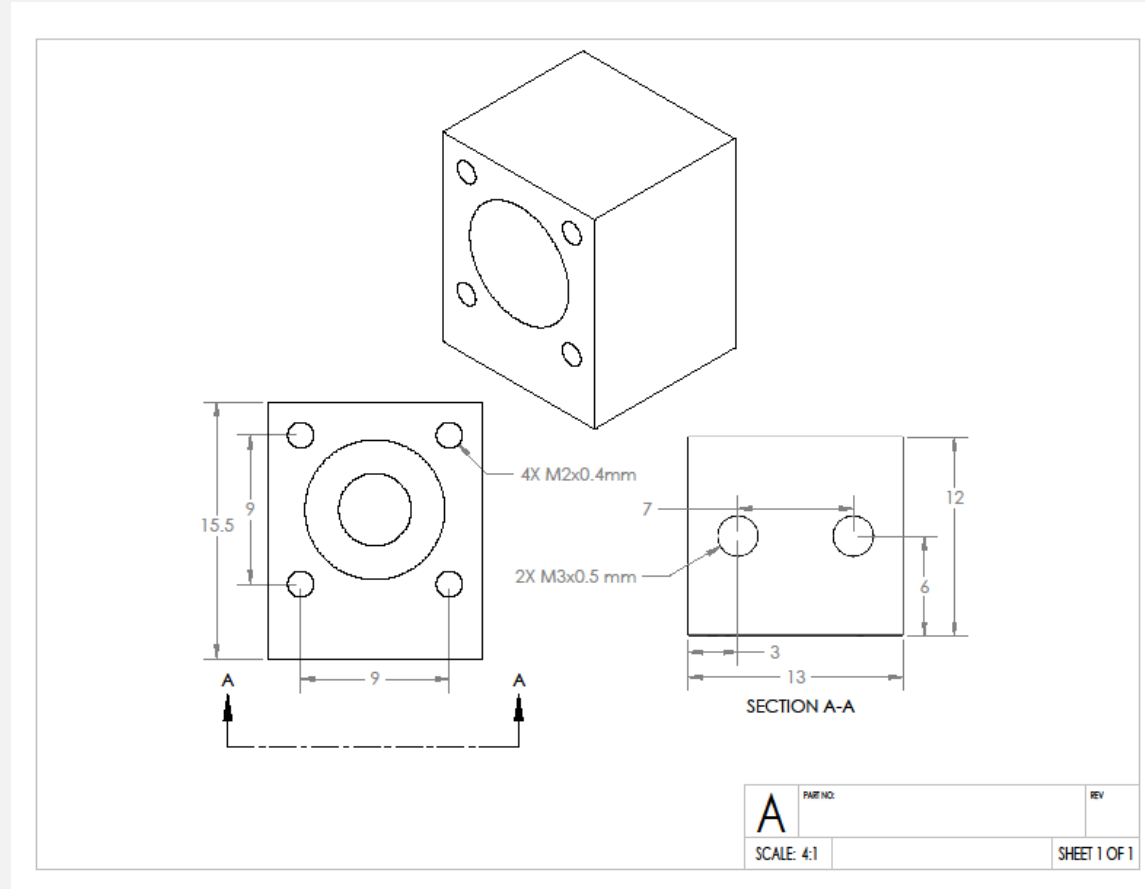


Module Experimental Data



Model Number: APS-404nm-150mW-MTM-5.6mm-CC

Module Dimensions and Mounting Screws





Model Number: APS-404nm-150mW-MTM-5.6mm-CC

Laser Safety Warnings

- **This OEM Micro-Module is meant for integration into other systems, and as such is not CDRH compliant.**
- **This Micro-Module is a Class 3B laser product.**
- **Always use laser safety glasses with sufficient Neutral Density at the operating wavelength of 404 nm to protect your eyes.**
- **Skin exposure to this laser product should be avoided.**